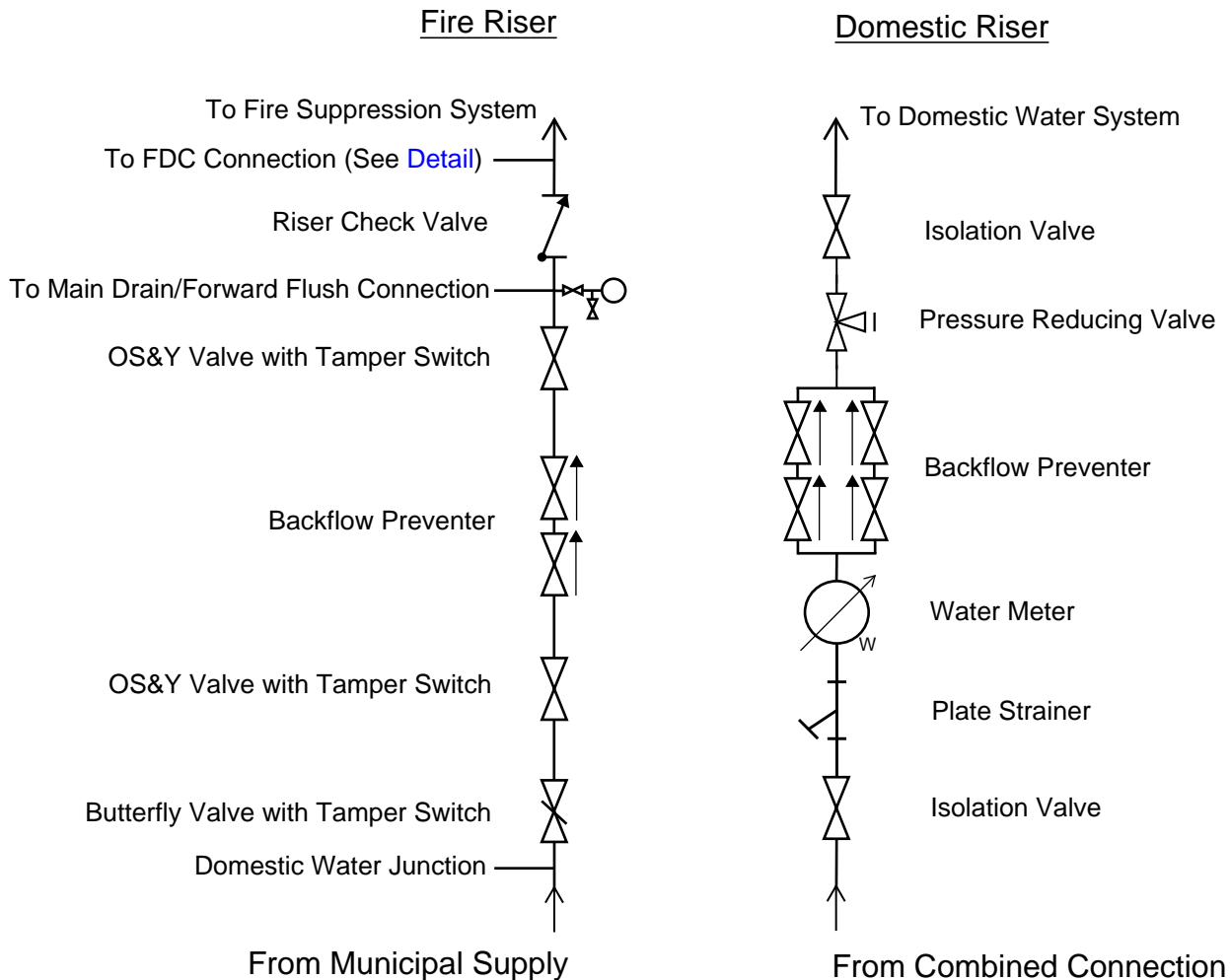


Fire Suppression and Domestic Water Riser Schematic



Notes:

1. Both fire protection and domestic water supply is to be brought into buildings with a single connection/riser unless technically infeasible.
2. See Clemson's [Standards for Commissioned Architects and Engineers](#) Divisions 21 and 22 for details on specific component requirements.
3. Water meter will be supplied by University Utilities for buildings on main campus.
4. For connections to domestic water supplies other than those maintained by Clemson University, the above schematics shall be followed to the greatest extent possible, differing only as needed to satisfy any requirements set forth for connecting to the supply in question.